



YTC2010

.....	1
.....	2
.....	2
.....	3
.....	4
.....	8
.....	8
.....	9
.....	11
.....	12
.....	13

YTC2000

500V 1000V 2500V 5000V

()

1 YTC2000(2500V/5000V) YTC2010(500V 1000V 2500V 5000V)
0 200G

2

3

LED

4

5

20

6

7

8

9

10

3mA

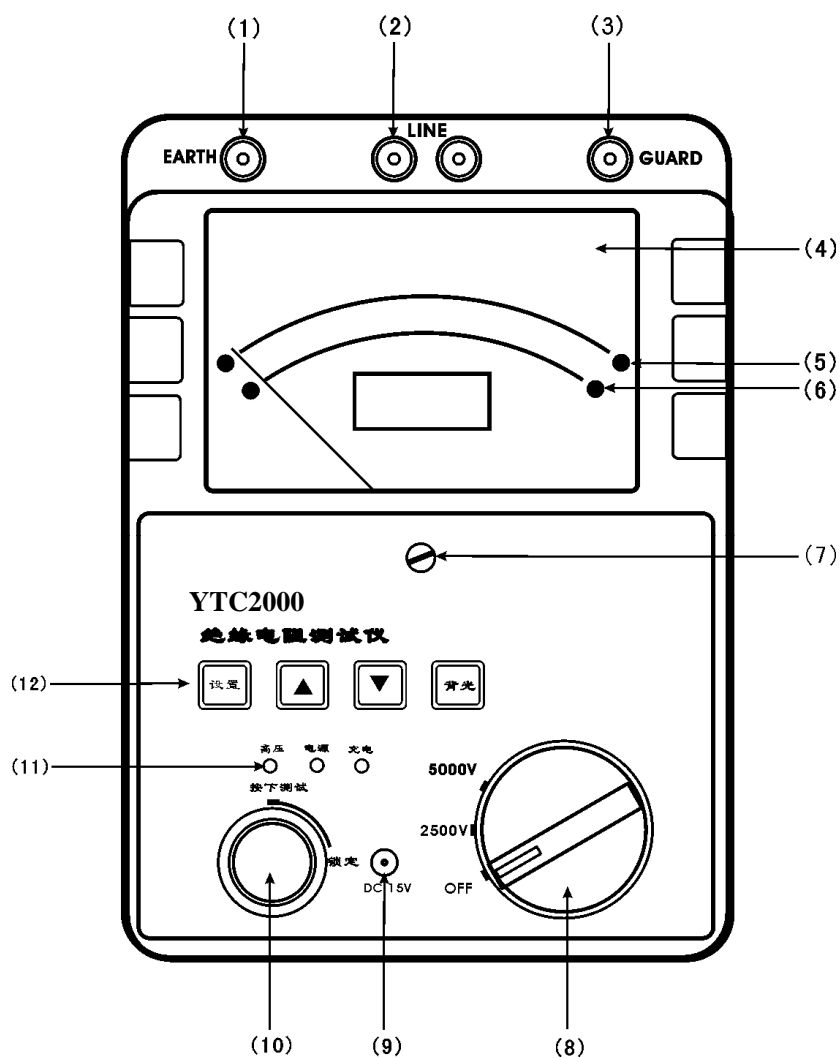
1

1 YTC2000

		YTC2010			
		YTC2000			
		500V DC	1000V DC	2500V DC	5000V DC
		23 ± 5			
		1M 20G ± 5	2M 40G ± 5	5M 100G ± 5	10M 200G ± 5
		4M 20G 0 +10	8M 40G 0 +10	20M 100G 0 +10	40M 200G 0 +10
		3mA			
		8 AA			
		-10 40		85	
		-20 60		90	
		1000V DC		2000M	
		2500V AC		1	
		230mm× 190mm× 90mm (L× W× H)			
		2KG			

1

1



1

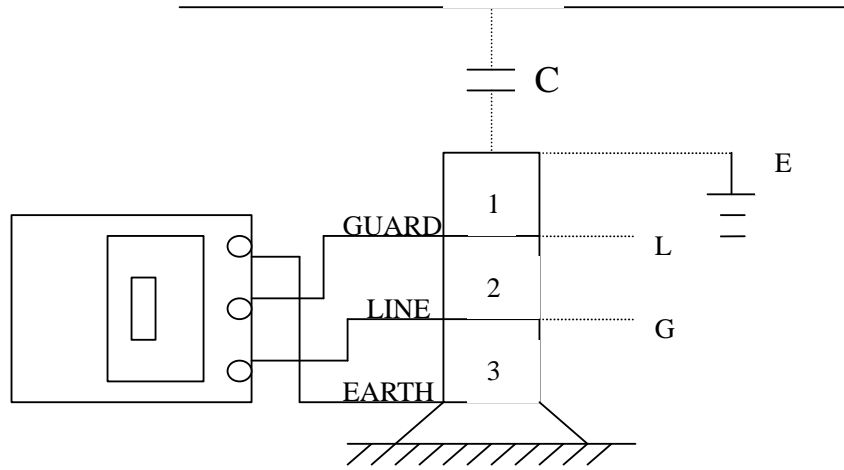
2

2

(1)	EARTH	
(2)	LINE	
(3)	GUARD	
(4)		<p style="text-align: center;">G</p> <p>500V/0.2G 20G × 1</p> <p>1000V/0.4G 40G × 2</p> <p>2500V/1 G 100 G × 5</p> <p>5000V/2G 200 G × 10</p> <p style="text-align: center;">M</p> <p>500V/0 400M × 1</p> <p>1000V/0 800 M × 2</p> <p>2500V/0 2000 M × 5</p> <p>5000V/0 4000 M × 10</p>
(5)		G
(6)		M
(7)		
(8)		
9		15V
(10)		
11		
12		1

		6		"
1	"			1min
		2min		
2			(7)	
3				
4		2 LINE		
		3 GUARD		
		"	"	
	EARTH 1			
	LINE GUARD			
1	8			11
2				
3	12			
4	10			11
	1	LINE		
5			4	

EARTH



5

1

2

3

6

220VAC ± 15%

4

9

5

8

(OFF)

543

4000-777-650 027-87876585/87876385

027-87596225

430077

www.hb1000kV.com

hb1000kV@163.com